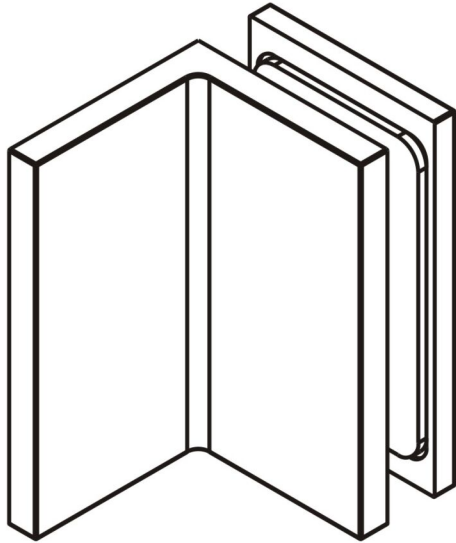


COM90S



Anwendung	90° Glas-Wand Winkel
Material	Messing
Glasdicke	8 mm, 10 mm

Application	90° Wall to Glass Clamp
Material	Solid Brass
Glass Thickness	8 mm, 10 mm

COM90S

COMO Winkel, 90° Glas-Wand, mit Abdeckungen

COMO 90° Wall Clamp, with cover plates

COM90S

